



# Submittal Data

**B-VFH09FA-1**

Project Name:	
Location:	
Engineer:	
Submitted to:	
Submitted by:	
Reference:	

Approval:	
Date:	
Construction:	
Unit #:	
Drawing #:	

### INDOOR UNIT DATA

Power Supply	Ph-V-Hz	1Ph,208/230V,60Hz
Cooling Capacity	Btu/h	9000
Heating Capacity	Btu/h	9800

### Indoor Fan Motor

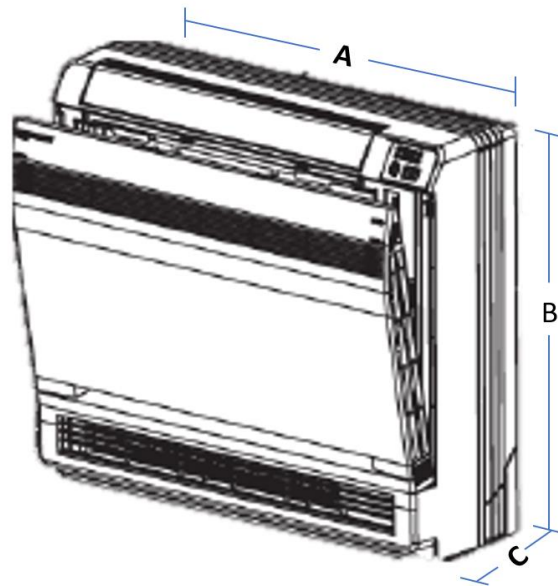
Model		FN30A-ZL
Input	W	45
RLA	A	0.15

### Air Flow & Noise Level

		382.525/329.56/311.90
		5/282.48/253.055/217.
Indoor air flow	CFM	745/188.32
Indoor noise level (H/M/L)	Db(A)	50/48/46/43/40/36/35

### Physical Data

Dimensions (W*D*H*)	inch	27.56x8.46x23.62
Packing (W*D*H*)	inch	31.14x11.3x27.95
Net/Gross weight	lbs.	33.1/39.7



### Dimensions

<u>Accessories</u>		<u>Dimensions</u>		
84711	3 Pole mini-split disconnect switch	A	27.56"	Width
		B	23.62"	Height
		C	8.46"	Depth